

capital area
solar switch



SolarEnergyWorld
Because Tomorrow Matters

WHO WE ARE

SOLAR ENERGY WORLD IS EXCITED TO ONCE AGAIN BE CHOSEN AS A WINNING INSTALLER FOR THE CAPITAL AREA SOLAR SWITCH PROGRAM

OUR MISSION

Solar Energy World strives to help homeowners empower themselves by reducing their dependence on fossil fuels, foster financial security, add value to their homes, and contribute to environmental conservation.

OUR STORY

Solar Energy World is a trusted solar company dedicated to providing exceptional service and ensuring an unparalleled customer experience. We proudly serve Delaware, Florida, Maryland, New Jersey, Northern Virginia, Pennsylvania, and Washington DC, offering reliable solar solutions to meet our customers' needs. We've partnered with GivePower to bring clean, renewable energy to communities in need around the world. With over 24,000 solar panel installations and 15 years of experience, we continue to prioritize customer satisfaction and environmental stewardship.

OUR COMMUNITY

Solar Energy World is an official GivePower partner. Through this partnership, a portion of the profits from every Solar Energy World installation goes to building GivePower's Solar-powered Water Purification Farms in developing regions of the world





capital area
solar switch



SolarEnergyWorld
Because Tomorrow Matters

OUR PROCESS

1. WELCOME EMAIL

Once you register, you will receive a Welcome Message from us in your inbox. Please use the link in this email to schedule a 5-minute discovery call where we will verify home qualification and schedule a consultation with one of our certified Field Energy Advisors.

2. CONSULTATION AND DESIGN

During your consultation, we will present a design to you based on the data you provided and answer any questions you have about the design and overall process. Once you are satisfied with the proposed design, we can get paperwork started and move your project forward.

3. IN-PERSON SITE SURVEY

After the agreement is approved, we will schedule an on-site survey of your house to gather images of your roof, attic, and garage to finalize the design.

4. ENGINEERING

Our team of engineers will look over your proposed design, along with the information from your site survey, and produce a final design with tried up production estimates.

5. PERMITTING

We will submit the applications to secure municipal, utility, and HOA approvals.

6. INSTALLATION

Once all approvals are received, we will call you to schedule your solar system installation, which will take up to 2 days to complete.

7. INSPECTION

Once we install your system, we will schedule the municipal and utility inspections to get the final approval to operate your system.



OUR WARRANTIES

25-YEAR PRODUCT WARRANTY

Product Warranty of 25 years on solar panels, and microinverters.

10-YEAR WORKMANSHIP WARRANTY

The workmanship warranty covers anything resulting from the installation of your solar energy system for 10 years from the completion of installation. The contractor will correct any defect covered by the warranty and repair the system at no additional cost to the owner.

MODULE WARRANTY ON POWER OUTPUT

Module Warranty on Power Output, guaranteed by the manufacturer of the solar panels. The power output of the solar module is warranted not to drop below 93.9% of its maximum in the first ten years and 87.7% of its maximum in the next 15 years.



OUR EQUIPMENT

SOLAR MODULE



LONGI LR5-54HABB 400M

400W

Max Power Output

21%

Max Efficiency

30 Year

Performance Warranty

25 Year

Product Warranty

LR5-54HABB-400M is a model that uses many technologies to bring durability and performance to the next level. The Passivated Emitter Rear Contact (PERC) technology ensures excellent power output. This solar cell type employs an additional reflective layer to absorb more sunlight.

- Half-cut cell technology enhances overall performance.
 - Reduces power loss.
 - Improves low-light performance.
- 21% efficiency, impressive for its weight and size
- Bifacial modules use both sides to absorb photons.
 - Up to 30% more efficient than conventional panels.
- Triple Black Solar Module for superior aesthetics.
- Focus on durability and performance.
- Guaranteed to retain at least 84.95% of output after 30 years.
- 25-year product warranty

OUR EQUIPMENT

INVERTERS

IQ8+ Microinverter

- Lightweight and compact with plug-and-play connectors
- Power line communications (PLC) between components
- Faster installation with simple two-wire cabling
- Produce power even when the grid is down
- Class II double-insulated enclosure
- Remote automatic updates for the latest grid requirements
- Configurable to support a wide range of grid profiles



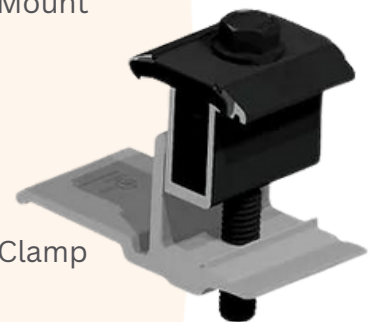
MOUNTING AND RACKING SYSTEM

Snap-N-Rack TOPSPEED

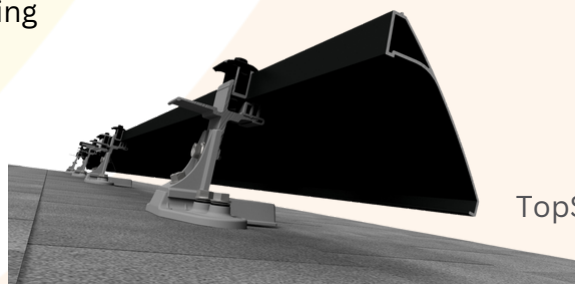
- Purpose made system by integrating multiple components into one single unit
- Improved safety with mounts removed from the roof and quicker install times
- Faster, simpler install driven by attaching mounts to modules on the ground, eliminating the array layout



TopSpeed Mount



TopSpeed Clamp



TopSpeed Universal Skirt



SolarEnergyWorld

TESLA
POWERWALL
CERTIFIED INSTALLER





BATTERY STORAGE

BATTERY SYSTEMS

Tesla Powerwall 3

Powerwall is an integrated battery system that stores your solar energy for backup protection, so when the grid goes down your power stays on. Your system detects outages and automatically recharges with sunlight to keep your appliances running for days.



-  Home Back-Up Protection
-  Real-Time Usage Visibility
-  Weatherproof
-  Zero Carbon Emissions

SPECIFICATIONS

- Floor or wall mounted for indoor or outdoor
- Meets US and International safety and EMI standards
- Child and pet friendly
- 11.5kW continuous On-Grid Power
- 13.5 kWh Energy Capacity
- 10-Year Warranty

